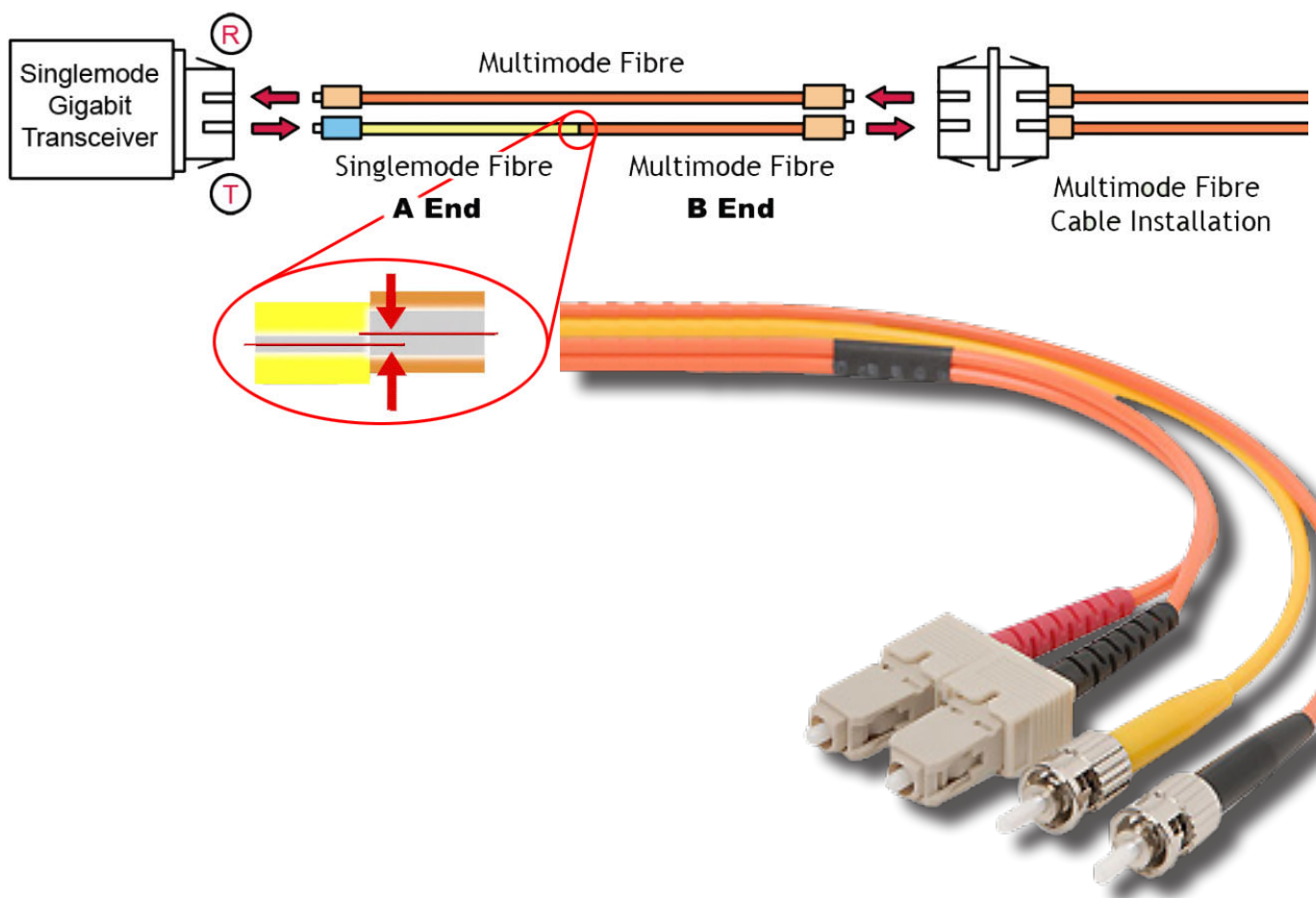


Mode Conditioning Patchcords

Mode Conditioning patchcords are used for Gigabit Ethernet applications where Gigabit 1000 Base-LX routers and switches are installed into existing multimode cable plants.

The need for Mode Conditioning patchcords is due to the single-mode launch nature of the -LX or longwave (1300nm) transceiver modules used for Gigabit Ethernet. These modules have to operate for both singlemode and multimode fibers. Launching a singlemode laser into the center of a multimode fiber can cause multiple signals to be generated that confuse the receiver at the other end of the fiber. These multiple signals, caused by Differential Mode Delay (DMD) effects, severely limit the cable distance lengths for operating Gigabit Ethernet. A mode conditioning patchcord eliminates these multiple signals by allowing the single-mode launch to be offset away from the center of a multimode fibre. This offset point creates a launch that is similar to typical multimode LED launches.



Ordering Details (example MCSTSCOM1-2 = Mode Conditioning lead ST-SC OM1 2m)

Code	Connector A	Connector B	Fibre	- Length
MCL	ST - ST	ST - ST	OM1 - 62.5/125um	Length in Metres
	SC - SC	SC - SC	OM3 - 50/125um	
	LC - LC	LC - LC		
	FC - FC	FC - FC		

Note: Connector A end is the launch/transceiver end with Singlemode/Multimode fibre

Optimal Cable Services Pty. Ltd.

100 Olympia Street
 Tottenham, Victoria, 3012

Ph: 03 9316 8300 / Fax: 03 9314 1722

Email: sales@optimal.com.au
 Web: www.optimal.com.au

Cable & Connectivity Sales

Vic : 0430 494 022 - Murray Meltzer
 : 0409 912 735 - Clinton Polmear

NSW : 0400 122 738 - Mike Cotie
 : 0422 651 321 - Martin Prendergast

ACT : 0409 912 735 - Clinton Polmear
 : 0422 651 321 - Martin Prendergast
 : 0400 122 738 - Mike Cotie

QLd : 0414 701 292 - Eric Brace
 : 0407 630 429 - Ian Lee

WA : 0407 630 429 - Ian Lee
 SA : 0412 361 281 - Paul Cross

Tas : 0430 494 022 - Murray Meltzer
 NZ : +61-421-470-008 - Ross Kay